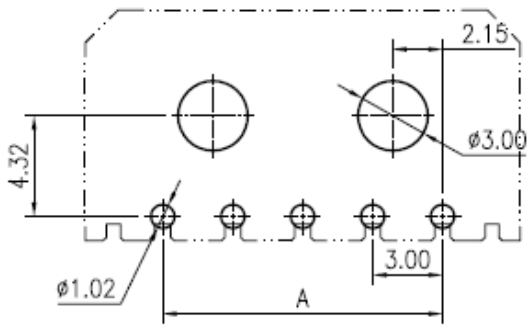
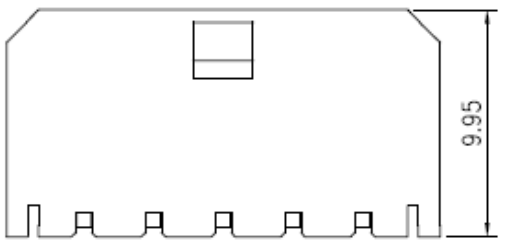
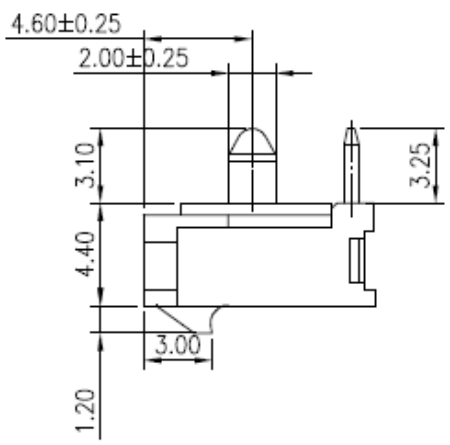
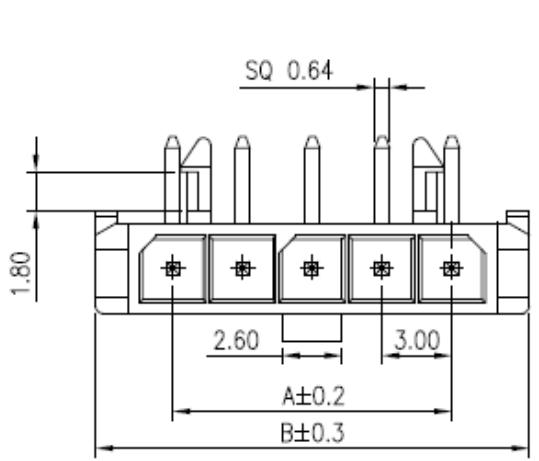


RoHS
COMPLIANT



Recommended P.C.B. Layout
Total tolerance:±0.05mm

SPECIFICATIONS

1. Current rating: 5A AC, DC
2. Voltage rating: 250V AC,DC
3. Temperature range: -40°C ~ +105°C
4. Insulation resistance: 1000MΩ Min.
5. Withstanding voltage: 1500V AC/ minute.
6. Contact resistance: 10mΩ Max.

Material:

- Insulator: PA9T UL 94V-0
- Contact: Brass
- Plating: Tin plated over nickel
- Circuits: 2~12

PIN NO.	DIMENSIONS	
	A	B
2P	3.00	9.65
3P	6.00	12.65
4P	9.00	15.65
5P	12.00	18.65
6P	15.00	21.65
7P	18.00	24.65
8P	21.00	27.65
9P	24.00	30.65
10P	27.00	33.65
11P	30.00	36.65
12P	33.00	39.65

F					TOLERANCE	TITLE:	DRAWN: ru yi 2020.03.10	Summit Electronics bv		
		Uniformly arrange the drawings	Arvin	2021.09.18	X.X ± 0.30	MX3.0 DIP 90° Wafer	CHECKED:			
		Change the part number and frame format	Ru yi	2020.3.10	X.XX ± 0.20	Single Row	APPROVED:	PART NO.: SWTB-C3000RD1-XX		
	MARK	REVISION DESCRIPTION	SIGNATURE	DATE	X.XXX ± 0.10	UNIT: mm	SCALE: N/A	SHEET: 1/1	PROJECTION	REV.: A3
	1	2	3	4	5	6	7	8	9	